



## **Telycam** Telecam Technology Co.,Ltd

Address: 6F, Building A, Shuanghuan Information Technology Industrial Park, No.8, Baoqing Rd, Longgang District, Shenzhen, 518116, China

Tel: +86-755-33275155

<http://www.telycam.com> [www.telecamtech.com](http://www.telecamtech.com)

### **TLC-300-IP-20-L HD PTZ Video Camera**

Telycam TLC-300-IP-20-L is a professional grade IP HD video camera, support IP, HDMI, SDI simultaneously output, ideal for broadcast level AV solution, high end video conferencing and video surveillance application.



#### **Advantages**

- Adopts most advanced DSP, 1/2.8 inch 5MP sensor;
- good quality optical lens inside: 20x optical zoom, 61 degree field of view;
- 1080P60 video over IP, and support H.264, H.265 encoding;
- Support POE: easy to use one RJ45 cable to get video, control and power supply;
- IP, HDMI, SDI, USB outputs, fit for different application;
- Special Focusing Algorithm: fast and precise focusing performance when zooming or moving;
- Standard Sony Visca, Pelco-P, Pelco-D control protocol;
- Supplied with functional IR remote controller, can set IP address via OSD menu;
- With Line In port to support audio input.

#### **Features**

- IP, HDMI, SDI outputs simultaneously;
- 20x Optical Zoom + 2x Digital Zoom;
- Automatic access to the IP address;
- Smooth PTZ mechanical design, accurate pan tilt motor control;
- WDR, 3D Noise Reduction feature;
- 128 presets;
- Support RS232/485 serial control;
- Image flip function, support upside-down installation;
- Sony Visca and Pelco P/D protocol;
- Support daisy chain feature;



## Telycam Telecam Technology Co.,Ltd

Address: 6F, Building A, Shuanghuan Information Technology Industrial Park, No.8, Baoqing Rd, Longgang District, Shenzhen, 518116, China

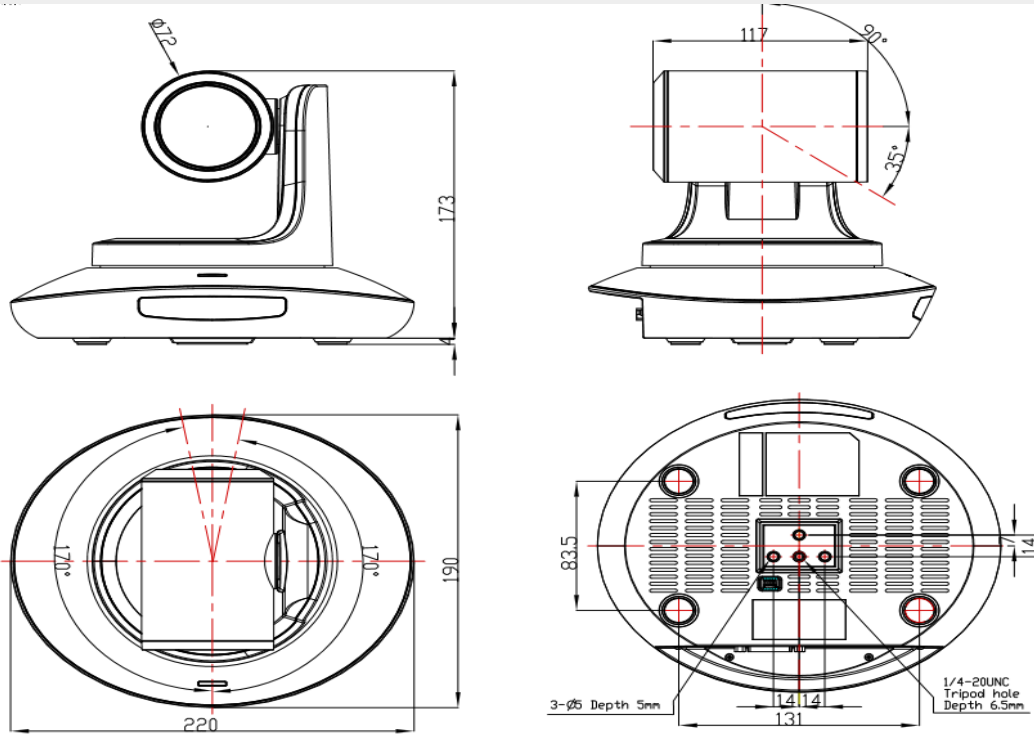
Tel: +86-755-33275155

<http://www.telycam.com> [www.telecamtech.com](http://www.telecamtech.com)

### Output Interface



### Dimensional Drawing ( mm)





## Telycam Telecam Technology Co.,Ltd

Add.:6F, Building A, Shuanghuan Information Technology Industrial Park, No.8, Baoqing Rd, Longgang District,Shenzhen,518116,China

Tel: +86-755-33275155

[Http://www.telycam.com](http://www.telycam.com) [www.telecamtech.com](http://www.telecamtech.com)

### Technical Spec

Model	TLC-300-IP-20-L		
Sensor	1/2.8 inch, 5mega pixel high quality CMOS sensor		
Video Format	HDMI	IP	SDI
	1080p60/50/30/25, 720p60/50/30/25, 1080i60/50	Main stream:1920x1080p30, Sub stream:1280x720,704x576 640x480,352x288	1080p60/59.94/50/30/29.97/25; 720p60/59.94/50/30/29.97/25 1080i60/50
Zoom	20x optical zoom & 2x digital zoom		
FOV	61°(diagonal)		
F.no.	Wide: F1.5(Wide)~3.0 (Tele)		
Focal Length	f=5.2(near)~98mm(far)		
Preset	10 via remote controller; 128 via serial port; preset precision:0.1°		
Rotation Angle	Pan: -170° ~ +170°; Tilt: -35° ~ +90°		
Rotation Speed	Pan: 0°~120°/s ; Tilt: 0°~80°/s		
Control Port	RS232 / RS485/RJ45		
Video Port	HDMI/ RJ45/SDI		
Network Speed	1000M		
Noise Reduction	2D&3D		
SNR	>50dB		
Minimum Lux	0.01 lux		
White Balance	Auto / Manual/Auto Tracking/OnePush/Indoor/Outdoor/		
Anti Flicker	50Hz/60Hz/OFF		
Audio Input	3.5mm Line In port		
Gamma	Supported		
Mirror Image	Supported		
PanTilt Flip	Supported		
Iris	Auto / Manual/		
Electric Shutter	Auto / Manual/		
BLC	Auto / Manual/		
Focus	Auto / Manual/		
Video Encoding	H.264/H.265		
Bit Rate Control	Variable Bit Rate, Constant Bit Rate		
Video Bit Rate	1024Kbps~30720Kbps		
Frames	50HZ:1fps~50fps 60HZ:1fps~60fps (3840x2160 max. 30fps)		
IP Protocol	TCP/IP, HTTP, RTSP, Onvif, DHCP		
POE+	Supported		
Input Voltage	DC12V, 2A		
Dimension	220mm×173mm×190mm		
Net Weight	1.25KGS (2.8LBS)		