

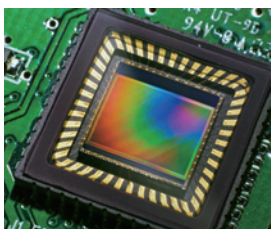
The Lumens™ VC-G50 HD Pan/Tilt/Zoom (PTZ) camera is equipped with a professional 1/2.8 inch image sensor with Full HD-1080p output resolution at high dynamic image 60 frames per second. The superior 20x optical zoom lens, excellent white balance, and exposure mode delivers a clear image even in low light or the extreme contrast of brightness and darkness of a conference room. The camera covers a wide shooting angle and utilizes a highly efficient DC motor servo-controlled to achieve high-speed, quiet and precise positioning with smooth PTZ operations. The VC-G50 supports SDI, DVI, component, and C-Video interfaces allowing four simultaneous image outputs with the best possible image quality and is compatible with all video equipments. There are up to 100 preset settings and stable remote controlling for effective and efficient presentations. VC-G50 is ideally suited for lecture recording, video conferencing and security surveillance systems delivering a continuous, clear and vivid live image without any distortion.

## Key Features

- Full HD 1080p supported high definition signal output format
- High frame rate supporting 60 frames per second
- Up to 100 user defined preset modes to allow ease of use in all environments
- 240 times variable zoom ratio (20x optical zoom with 12x digital zoom)
- SDI, DVI, Component, C-Video image output synchronously
- Maximum horizontal/vertical speed of rotation: 300 degrees / sec
- Wide Pan/Tilt/Zoom mechanism:  
Horizontal viewing angle:  $-170^{\circ}$  to  $+170^{\circ}$   
Tilting angle up to  $90^{\circ}$ , and down to  $-30^{\circ}$
- Fast response delivers extremely clear image without blur even while being operated
- High speed, Stable, Quiet, and positioning precisely ensure image quality
- Compatible with major video conferencing and lecture capture codec



## More Details



### Image Quality

Equipped with a professional 1/2.8 inch image sensor with Full HD-1080p output resolution providing high color reproduction, high definition, and a crystal-clear image.



### Wide Range Pan/Tilt/Zoom Action

The high efficient DC motor, servo control a wide shooting area (pan angle: from  $-170^{\circ}$  to  $+170^{\circ}$ ; tilt angle from  $-30^{\circ}$  to  $+90^{\circ}$ ), as well as quiet, fast, and precise positioning movements.



### Multiple Signal Formats

VC-G50 is able to switching video output formats from NTSC/PAL, SD, to Full HD for compatibility in various display devices.



### 3G-SDI Interface

Support 3G-SDI standard interface for transmitting uncompressed digital video signal without any delay, and the transmission distance is up to 150 meters.



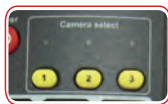
## 100 Position Presets

Up to 100 preset settings for pan, tilt, zoom, focus, exposure and white balance modes make video conferencing effective and efficient.



## RS-232/422 Remote Control

Camera settings and PTZ control functions to be performed remotely at any location and at high communication speeds via the RS-232/422 interface.



## Friendly Interface

The simple operation with the Lumens™ infrared controller allows VC-G50 to achieve pan, tilt, zoom, focus, and other functions easily.



## Image Flip

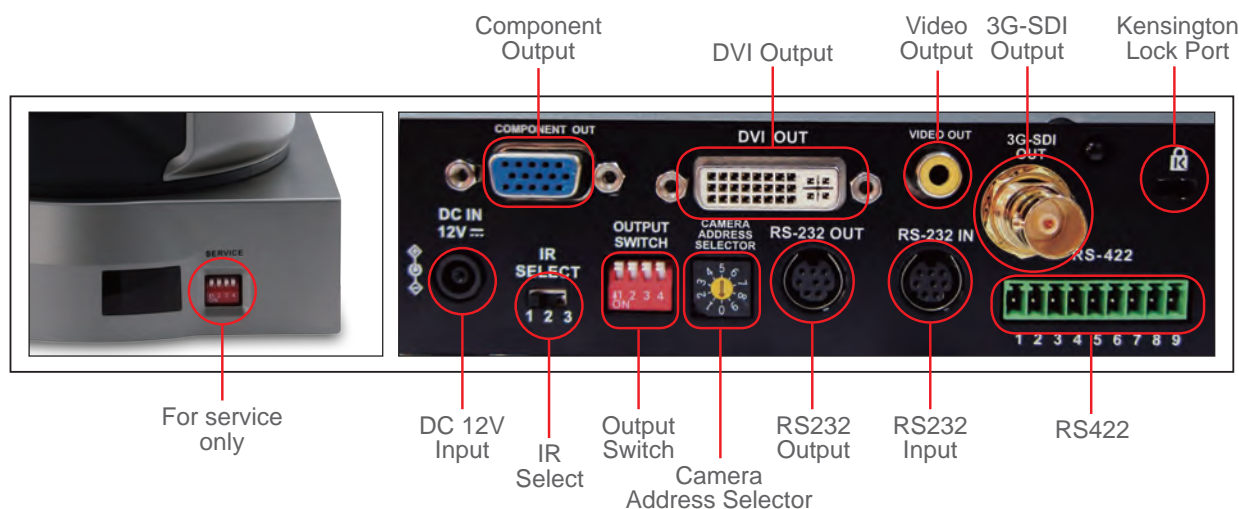
Built-in image flip and mirror function allows various installations on a desktop or mounting on the ceiling depending on the users requirements.

## Product Specifications

<b>Sensor</b>	1/2.8" 2 MP CMOS
<b>Video Output</b>	1080p 60/50 fps, 1080i 60/50 fps, 1080p 30/25 fps, 720p 60/50 fps, 720p 30/25 fps, NTSC/PAL
<b>Optical Zoom</b>	20x
<b>Panning Angle</b>	-170° ~ +170°
<b>Tilting Angle</b>	-30° ~ +90°
<b>Preset Positions</b>	100
<b>Video Output(HD) Interface</b>	Component, DVI, 3G-SDI
<b>Video Output(SD) Interface</b>	CVBS (C-Video)
<b>Camera Control Interface/Protocol</b>	RS-232 / RS-422
<b>Video S/N Ratio</b>	> 50dB

<b>Shutter Speed</b>	1/1 ~ 1/10,000 sec
<b>Focal Length</b>	f = 4.7 ~ 94 mm
<b>Horizontal Viewing Angle</b>	60° ~ 4.8°
<b>Aperture</b>	F1.6 ~ 3.5
<b>Minimum Illumination</b>	5 lux
<b>Minimum Object Distance</b>	300(Wide) ~ 1500(Tele) mm
<b>Digital Zoom</b>	12x
<b>Gain Control</b>	Auto, Manual
<b>White Balance</b>	Auto, Indoor, Outdoor, One-Push, Manual
<b>Exposure Control</b>	Auto, Manual
<b>Focus System</b>	Auto, Manual
<b>Image Flip</b>	Yes

## I/O CONNECTIONS



**Lumens**<sup>TM</sup>  
Brilliance by Design

www.MyLumens.com

Edustus, maahantuonti ja markkinointi:  
FinnAV Oy MediaSolution  
Kantelettarentie 7 R, 00420 Helsinki  
puh. 09 879 5639, myynti 0400 716 106  
info@mediasolution.fi, www.mediasolution.fi