

VC-G30 High Definition Video Camera

LumensTM
Brilliance by Design

The Lumens™ VC-G30 HD Pan/Tilt/Zoom (PTZ) camera is equipped with a professional 1/2.8 inch image sensor with Full HD-1080p output resolution at high dynamic image 60 frames per second. The superior 10x optical zoom lens, the excellent white balance, and exposure mode delivers a clear image even in low light or the extreme contrast of brightness and darkness of a conference room. The camera covers a wide shooting angle and utilizes a highly efficient motor control to achieve high-speed, quiet and precise positioning with smooth PTZ operations. The VC-G30 supports SDI, DVI, component, and C-Video interfaces allowing four simultaneous image outputs with the best possible image quality and is compatible with all video equipment. There are up to 100 preset settings and stable remote controlling for effective and efficient presentations. VC-G30 is ideally suited for lecture recording, video conferencing and security surveillance systems delivering a continuous, clear and vivid live image without any distortion.

Key Features

- Full HD 1080p supported high definition signal output format
- High frame rate supporting 60 frames per second
- Up to 100 user defined preset modes to allow ease of use in all environments
- 120 times variable zoom ratio (10x optical zoom with 12x digital zoom)
- SDI, DVI, Component, C-Video image output synchronously
- Maximum horizontal/vertical speed of rotation: 120 degrees / sec
- Wide Pan/Tilt/Zoom mechanism:
Horizontal viewing angle: -170° to +170°
Tilting angle up to 90°, and down to -30°
- Fast response delivers extremely clear image without blur even while being operated
- High speed, Stable, Quiet, and positioning precisely ensure image quality
- Compatible with major video conferencing and lecture capture codec



More Details

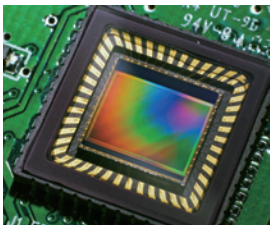


Image Quality

Equipped with a professional 1/2.8 inch image sensor with Full HD-1080p output resolution providing high color reproduction, high definition, and a crystal-clear image.



Wide Range Pan/Tilt/Zoom Action

The high efficient motor controls a wide shooting area (pan angle: from -170° to +170° ; tilt angle from -30° to +90°), as well as quiet, fast, and precise positioning movements.



Multiple Signal Formats

VC-G30 is able to switch video output formats from full HD 1080p, 720p, and SD for compatibility with various display devices.



3G-SDI Interface

Support 3G-SDI standard interface for transmitting uncompressed digital video signal without any delay, with the transmission distance of up to 150 meters.



100 Position Presets

Up to 100 preset settings for pan, tilt, zoom, focus, exposure and white balance modes make video conferencing effective and efficient.



RS-232/422 Remote Control

Camera settings and PTZ control functions to be performed remotely at any location and at high communication speeds via the RS-232/422 interface.



Friendly Interface

The simple operation with the Lumens™ infrared controller allows VC-G30 to achieve pan, tilt, zoom, focus, and other functions easily.



Image Flip

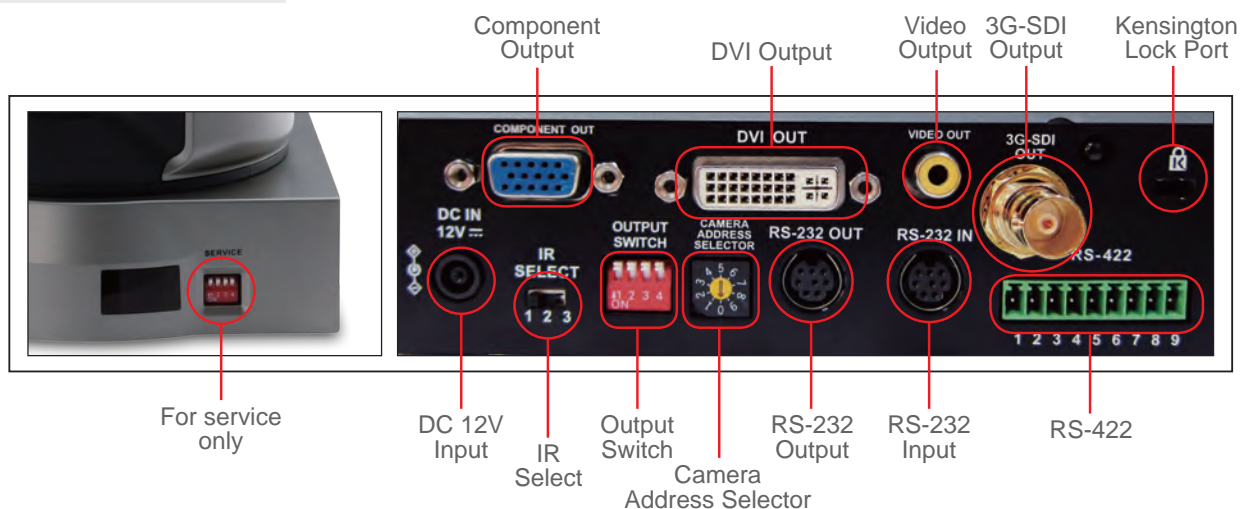
Built-in image flip and mirror function allows various installations on a desktop or mounting on the ceiling depending on the users requirements.

Product Specifications

Sensor	1/2.8" 2 MP CMOS
Video Output	1080p 60/50 fps, 1080i 60/50 fps, 1080p 30/25 fps, 720p 60/50 fps, 720p 30/25 fps, NTSC/PAL
Optical Zoom	10x
Panning Angle	-170° ~ +170°
Tilting Angle	-30° ~ +90°
Preset Positions	100
Video Output(HD) Interface	Component, DVI, 3G-SDI
Video Output(SD) Interface	CVBS (C-Video)
Camera Control Interface/Protocol	RS-232 / RS-422
Video S/N Ratio	> 50dB

Shutter Speed	1/1 ~ 1/10,000 sec
Focal Length	f = 5 ~ 50 mm
Horizontal Viewing Angle	56.5° ~ 5.6°
Aperture	F1.8 ~ 3.0
Minimum Illumination	5 lux
Minimum Object Distance	100(Wide) ~ 1000(Tele) mm
Digital Zoom	12x
Gain Control	Auto, Manual
White Balance	Auto, Indoor, Outdoor, One-Push, Manual
Exposure Control	Auto, Manual
Focus System	Auto, Manual
Image Flip	Yes

I/O CONNECTIONS



LumensTM
Brilliance by Design

Edustus, maahantuonti ja markkinointi:
FinnAV Oy MediaSolution
Kantelettarentie 7 R, 00420 Helsinki
puh. 09 879 5639, myynti 0400 716 106
info@mediasolution.fi, www.mediasolution.fi