



Telycam Telecam Technology Co.,Ltd

TLC-300-IP-20(NDI) 20x FHD NDI PTZ Video Camera



Telycam TLC-300-IP-20(NDI) is a professional full HD video camera, with NDI, 3G-SDI, HDMI and USB3.0 output interface, it has 20x optical zoom, NDI enables live streaming simpler, easier and affordable. No mess, an Ethernet cable enables video, audio, control, tally, and power. TLC-300-IP-20(NDI) enables live streaming solution professional as well as affordable, working with TriCaster, Wirecast, Vmix, OBS, Xplit etc, applied for Government, Church, Corporate, Class Room, Studio, Gaming and Professional AV environments.

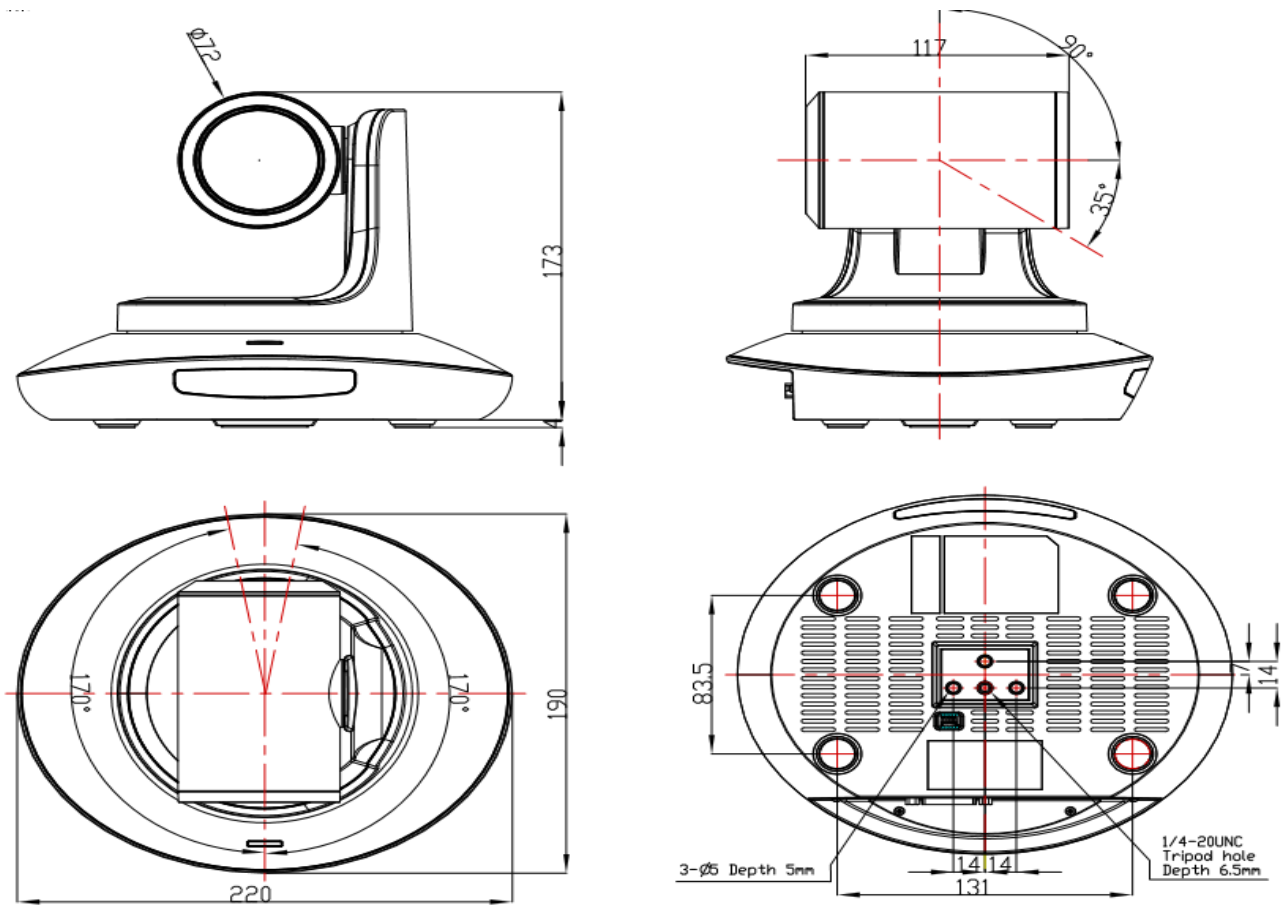
Feature:

- Adopts most advanced ISP, 1/2.8 inch 5MP sensor, providing users crystal clear video.
- 20x Optical Zoom + 2x Digital Zoom, with 61 degree field of view, ideal for large space AV solution.
- IP Video Streaming, includes both H.264, H.265 video encoding;
- 1080p30 full HD video over NDI|HX, 3G-SDI, HDMI, USB output video simultaneously.
- WDR, 3D Noise Reduction feature;
- Power over Ethernet: one single CAT5/6 to get video, control, tally and power;
- Live RTMP streaming, streaming to YouTube Live and Facebook Live directly.
- Special Focusing Algorithm: fast and precise focusing performance when zooming or moving,
- Smooth PTZ mechanical design, accurate pan tilt motor control;
- 128 presets;
- Standard Sony VISCA, IP VISCA, PELCO-P, PELCO-D control protocol; IP VISCA over both TCP and UDP.
- Daisy chain supported.
- Image flip function, support upside-down installation;
- Supplied with functional IR remote controller, can set IP address via OSD menu;
- Support multiple browsers to view video such as IE, Chrome, Firefox, Safari in both Mac and Windows system.
- Optional enclosure color: silver, grey, black, white.

Output Interface



Dimensional Drawing (mm)





Telycam Telectam Technology Co.,Ltd

Technical Spec

Model Number	TLC-300-IP-20(NDI)			
Sensor	1/2.8 inch, 5mega pixel high quality Sony CMOS sensor			
Video Format	HDMI	NDI HX	SDI	USB3.0
	1920*1080p60/50/30/25, 1280*720p60/50/30/25, 1920*1080i60/50	Main stream 1920*1080p30, 1280*720p30, Sub stream: 1280*720p30 1024*576p30 640*360p30	1920*1080p60/50/30/25, 1280*720p60/50/30/25, 1920*1080i60/50	USB3.0 : 1920*1080p60/50/30/25, 1280*720p60/50/30/25, 1024*576p30 USB2.0 : 1024*576p30, 960*540p30,640*360p30, 352*288p30
Zoom	20x optical zoom & 2x digital zoom			
FOV	60.5°			
F.no.	Wide: F1.5(Wide)~3.0 (Tele)			
Focal Length	f=5.2(near)~98mm(far)			
Preset	10 via remote controller; 128 via serial port; preset precision:0.1°			
Rotation Angle	Pan: -170° ~ +170°; Tilt: -30° ~ +90°			
Rotation Speed	Pan: 0°~120°/s ; Tilt: 0°~80°/s			
Control Port	NDI HX/ RS232 / RS485			
Video Port	NDI HX/3G-SDI/HDMI/USB3.0			
Network Speed	1000M			
Noise Reduction	2D&3D			
SNR	>50dB			
Minimum LUX	0.01 LUX			
White Balance	Auto / Manual/Auto Tracking/OnePush/Indoor/Outdoor/			
Anti Flicker	50Hz/60Hz/OFF			
D/N Mode	Supported			
Gamma	Supported			
Mirror Image	Supported			
PanTilt Flip	Supported			
Iris	Auto / Manual/			
Electric Shutter	Auto / Manual/			
BLC	Auto / Manual/			
Focus	Auto / Manual/			
Video Encoding	H.264/H.265			
Bit Rate Control	Variable Bit Rate, Constant Bit Rate			
Video Bit Rate	1024Kbps~10240Kbps			
Frames	50HZ:1fps~30fps 60HZ:1fps~30fps			
IP Protocol	TCP/IP, HTTP, RTSP, ONVIF, DHCP, VISCA over IP (TCP&UDP), HDMIL5			
POE	Supported			
Input Voltage	DC12V, 2A			
Dimension/Net Weight	220mm×173mm×190mm/1.25KGS (2.8LBS)			