



Telycam Telectam Technology Co.,Ltd

TLC-300-IP-12-4K(NDI) 12x 4K UHD NDI PTZ Video Camera



Telycam TLC-300-IP-12-4K (NDI) is a professional grade 4K Ultra HD video camera, with NDI, 3G-SDI, HDMI and USB3.0 output interface, it has 12x optical zoom, with 72.5 wide angle. NDI enables live streaming simpler, easier and affordable. No mess, an Ethernet cable enables video, audio, control, tally, and power. TLC-300-IP-12-4K(NDI) is a top-rated option used in professional live streaming solution, working with TriCaster, Wirecast, Vmix, OBS, Xplit etc, applied for Corporate, Class Room, Studio, and Professional AV environments.

Features:

- Adopting the advanced ISP, 1/2.5 inch 8MP sensor, to provide 3840x2160p30 Ultra HD and crisp video with full details.
- 12x optical zoom+2x digital zoom, 72.5 degree field of view.
- IP Video Streaming, includes both H.264, H.265 video encoding;
- NDI|HX, 3G-SDI, HDMI, USB output video simultaneously, 4K video over NDI|HX and HDMI.
- WDR, 3D Noise Reduction feature;
- Power over Ethernet: one single CAT5/6 to get video, control, tally and power;
- Live RTMP streaming, streaming to YouTube Live and Facebook Live directly.
- Special Focusing Algorithm: fast and precise focusing performance when zooming or moving,
- Smooth PTZ mechanical design, accurate pan tilt motor control;
- 128 presets;
- Standard Sony VISCA, IP VISCA, PELCO-P, PELCO-D control protocol; IP VISCA over both TCP and UDP.
- Daisy chain supported.
- Image flip function, support upside-down installation;
- Supplied with functional IR remote controller, can set IP address via OSD menu;
- Support multiple browsers to view video such as IE, Chrome, Firefox, Safari in both Mac and Windows system.
- Optional enclosure color: silver, grey, black, white.

<https://www.telycam.com>

TEL: +86755 33275155

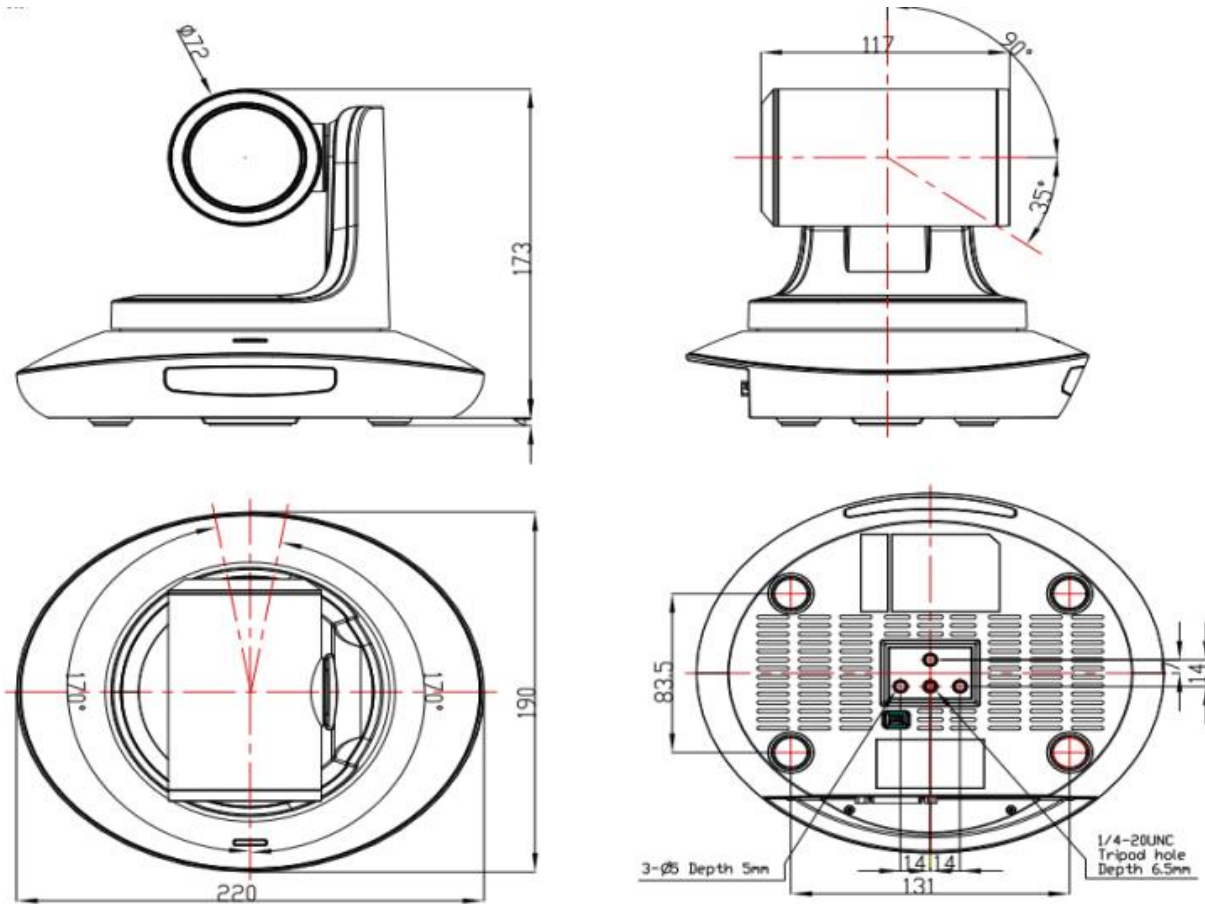


Telycam Telectam Technology Co.,Ltd

Output Interface



Dimension (unit: mm)



<https://www.telycam.com>

TEL: +86755 33275155



Telycam Telectam Technology Co.,Ltd

Tech Specification

Model Number	TLC-300-IP-12-4K (NDI)			
Camera				
Sensor	1/2.5 inch 8MP CMOS sensor			
Video Format	HDMI	NDI HX	SDI	USB3.0
	3840*2160p30/25, 1920*1080p60/59.94/50/ 30/29.97/25/24, 1920*1080i60/59.94/50, 1280*720p60/59.94/50/ 30/29.97/25	Main stream 1920*1080@30, 3840*2160@30 Sub stream: 1280*720@30 1024*576@30 640*360@30	1920*1080p60/59.94 /50/30/29.97/25/24, 1920*1080i60/59.94/ 50, 1280*720p60/59.94/ 50/30/29.97/25	USB3.0 : 1920*1080p60/50/30/25, 1280*720p60/50/30/25, 1024*576p30 USB2.0: 1024*576p30,960*540p30, 640*360p30,512*288p30
Zoom	12x optical zoom+2x digital zoom			
FOV	6.3° (Tele) ~72.5° (Far)			
Iris No.	Wide: 1.84		Tele : 2.81	
Min Focus Distance	Wide: 0.3m		Tele: 1m	
Noise Reduction	2D&3D			
S/N	>50dB			
Focal Length	f=3.92(near)~47.32mm(far)			
Min LUX	0.01 LUX			
White Balance	Auto / Manual/Indoor/Outdoor/ATW/ONEPUSH			
Focus	Auto/Manual			
Iris	Auto/Manual			
Shutter Speed	Auto/Manual			
Backlight Compensation	Auto/Manual			
Image Flip	Supported			
Video Freeze	Optional			
Mechanism				
Pan Rotation Angel	-170° ~ +170°			
Tilt Rotation Angel	-30° ~ +90°			
Pan Rotation Speed	0°~120°/s			
Tilt Rotation Speed	0°~80°/s			
Preset	128			
Control Port	NDI HX/RS232/RS485/USB3.0			
Video Port	NDI HX, 3G-SDI, HDMI, USB3.0			
POE	Optional			
Voltage	DC12V			
Encoding				



Telycam Telecam Technology Co.,Ltd

Video Encoding Standard	H.264/H.265
Bit Rate Control	Variable Bit Rate, Constant Bit Rate
Video Bit Rate	1024Kbps~20480Kbps
Frame Rate	50HZ:1fps~30fps 60HZ:1fps~30fps (3840*2160 max 30fps)
Protocol	TCP/IP, HTTP, RTSP, RTMP, ONVIF, DHCP, VISCA over IP (UDP&TCP), HTML5
Dimension (W x H x W)	220mm×173mm×117mm
Net Wight	1.25KG (2.8 Pound)

Note: When HDMI outputs 4K, NDI|HX outputs 4K, the 3G-SDI&USB3.0 have no image. If you need 3G-SDI and HDMI output image, the HDMI needs to output 1080p or lower than 1080p resolution.