



TLC-1000-UH USB3.0 PTZ Camera Specially Designed for Huddle Rooms



1080P60

5X Zoom

85° FOV

3 in 1 Cable

USB3.0

Advantages

- ▶ Ultra crystal video: with advanced DSP, 1/2.8 inch SONY sensor and high quality 5x lens;
- ▶ Smart&Solid design;
- ▶ Plug&Play, easy connection;
- ▶ All video, control and power over single USB3.0 cable;
- ▶ USB3.0 YUY2 video format, works with Windows, Mac OS, Android, Linux;
- ▶ Standard UVC1.5 protocol, compatible with most VC application;

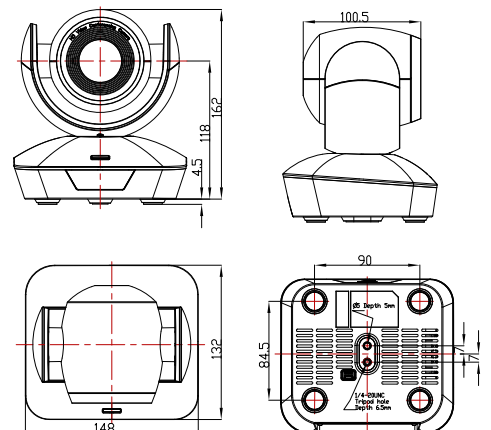
Features

- ▶ USB3.0 super speed output;
- ▶ 5xoptical zoom+ 2x digital zoom;
- ▶ 85 degree ultra wide of viewing;
- ▶ 1920x1080p60(YUY2) high definition;
- ▶ Ultra smooth PTZ mechanism
- ▶ Accurate PT motor control
- ▶ Effective RS232/485 serial control
- ▶ WDR, 3DNR, BLC, Anti-flicker feature;

Input/Output Interface



Dimensional Drawing (mm)



For more details, contact
telycam@telycam.com





Telycam

▶ Technical Spec

Model	TLC-1000-UH
Sensor	1/2.8 inch high quality, 5MP SONY CMOS sensor
Video System	USB3.0 mode: 1920x1080@60/50/30/25, 1280x720@60/50/30/25, 1024x576p30, 960x540p30, 640x360p30, 352x288p30
	USB2.0 mode: 1024x576@30, 960x540@30, 640x360@30, 352x288@30
Optical Zoom	5X
Digital Zoom	2X
FOV	85°
Sensor Resolution	1/2.8 inch, 5MP high quality CMOS sensor
Pan Rotation Angle	-170° ~ +170°
Tilt Rotation Angle	-30° ~+ 90°
Pan rotation speed	0° ~120° /s
Titl rotation speed	0° ~80° /s
Preset	10 via remote controller; 128 via Visca control.
Control Port	USB3.0/ RS232/RS485
Video Port	USB3.0
S/N Rate	>50dB
Focal Length	f=3.1~15.5mm
Minimum Lux	0.1 lux
White Balance	Auto / Manual/Auto Tracking/OnePush/Indoor/Outdoor/
Electronic Shutter	Auto/Manual
Focus	Auto/Manual
Iris	Auto/Manual
Anti Flicker	50Hz/60Hz/OFF
WDR	Supported
BLC	Supported
2D/3D Noise Reduction	Supported
Gamma	Supported
Up-side Down Installation	Supported
Mirror Image	Supported
Input Voltage	5V 1000mA(via USB3.0Port)/ DC12V 1A (via Power Adapter)
Dimension (L x Wx H)	148mm × 132mm × 161mm
Net Weight	0.9KG

Telecam Technology Co.,Ltd

Add.:6F, Building A, Shuanghuan Information Technology Industrial Park, No.8, Baoqing Rd, Longgang District, Shenzhen, 518116, China

Tel: +86-755-33275155

Http://www.telycam.com www.telecamtech.com

E-mail: telycam@telycam.com